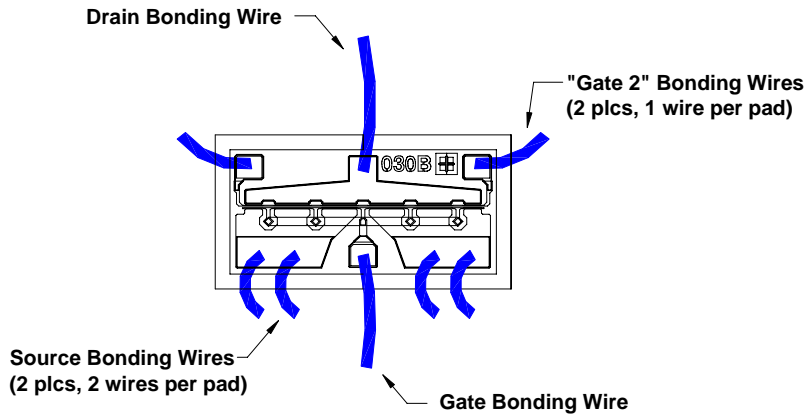


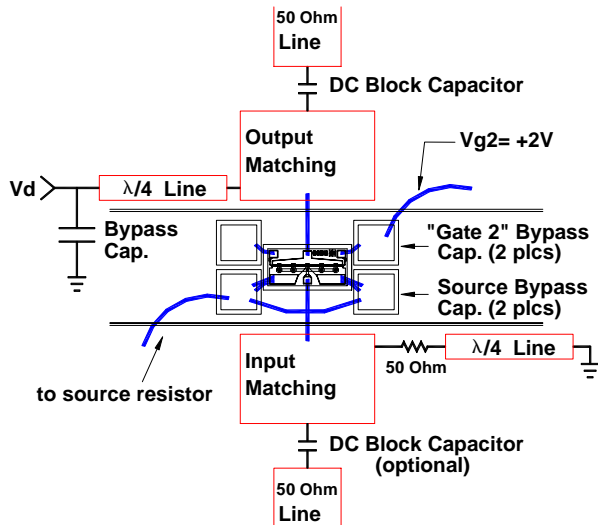


# Application Note for Dual-Gate FETs

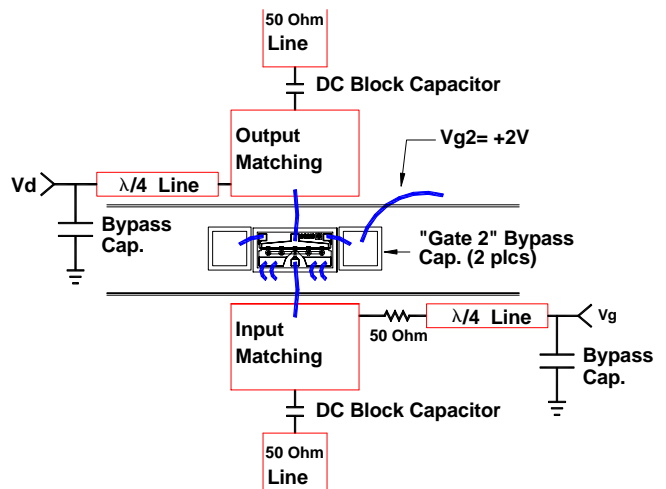
## Bonding Diagram (bonding wires are 1-mil diameter Au wires)



### Single Bias Configuration



### Dual Bias Configuration



Specifications are subject to change without notice.