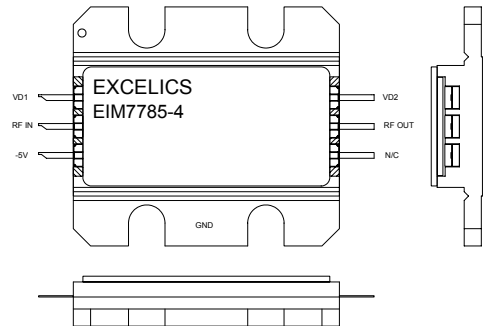


FEATURES

- 7.70– 8.50GHz Operating Frequency Range
- 35.5dBm Output Power @1dB Compression
- 33.0 dB Typical Power Gain @1dB gain compression
- -45dBc Typical OIM3 @each tone Pout 23.5dBm
- Non-Hermetic Metal Flange Package

APPLICATIONS

- Point-to-point and point-to-multipoint radio
- Military Radar Systems



Caution! ESD sensitive device.

ELECTRICAL CHARACTERISTICS (Tb = 25 °C, 50 ohm, VD1=7V, VD2=10V, Vgg=-5V)

SYMBOL	PARAMETER/TEST CONDITIONS	MIN	TYP	MAX	UNITS
F	Operating Frequency Range	7.7		8.5	GHz
P1dB	Output Power @1dB Gain Compression	34.5	35.5		dBm
G1dB	Gain @1dB gain compression	28	33		dB
ΔGain	Gain Flatness		±1.5		dB
OIMD3	Output 3 rd Order Intermodulation Distortion @Δf=10MHz, Each Tone Pout 23.5dBm	-42	-45		dBc
Input RL	Input Return Loss		-12	-8	dB
Output RL	Output Return Loss		-15	-10	dB
VD1	Drain Supply Voltage 1		7		V
VD2	Drain Supply Voltage 2		10		V
I_{DQ1}	Quiescent Drain Current 1		380		mA
I_{DQ2}	Quiescent Drain Current 2		1800	2000	mA
Vgg	Gate Supply Voltage		-5		V
Rth	Thermal Resistance		3.4		°C/W
Tb	Operating Base Plate Temperature	- 30		+ 80	°C

Note: Turn on/off sequence is required: ---to turn on: apply -5V on Vgg first, then +7V and +10V.
 ---to turn off: turn +7V and +10V off first, then turn -5V off



EIM7785-4

UPDATED 12/06/2007

7.70– 8.50GHz Multi-Stage Power Amplifier

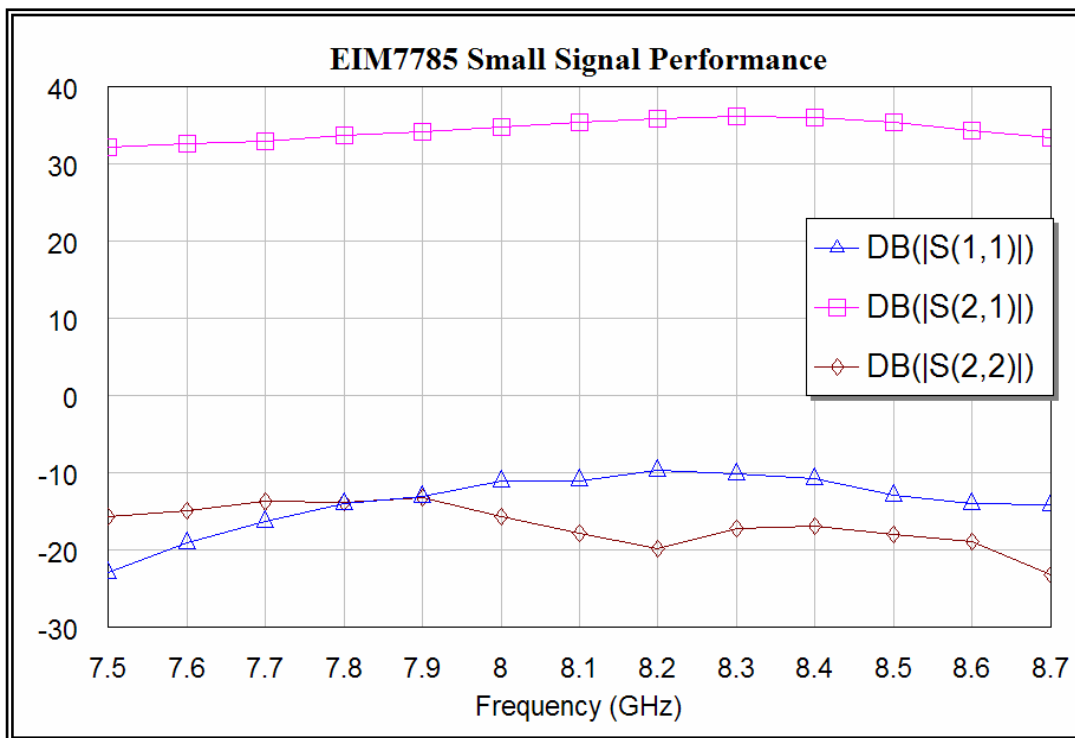
MAXIMUM RATINGS @25°C^{1,2}

SYMBOL	CHARACTERISTIC	ABSOLUTE	CONTINUOUS ^{1,2}
V _{D1}	Drain Supply Voltage 1	12V	8V
V _{D2}	Drain Supply Voltage 2	14V	10V
V _{gg}	Gate Supply Voltage	-10V	-6 V
I _{gg}	Gate Current	150mA	50 mA
P _{IN}	Input Power	20dBm	@ Pout 1dB compression
T _{CH}	Channel Temperature	175°C	175°C
T _{STG}	Storage Temperature	-65/175°C	-65/175°C
P _T	Total Power Dissipation	37.5W	37.5W

Notes: 1. Operating the device beyond any of the above rating may reduce MTF and cause permanent damage.
 2. Bias conditions must also satisfy the following equation $V_{dd} \cdot I_{dd} < (T_{CH} - T_b) / R_{TH}$

Typical Performance:

1. Small Signal Performance (@V_{d1} = 7V, V_{d2} = 10V, I_{d1} = 380mA, I_{d2} = 1800mA)

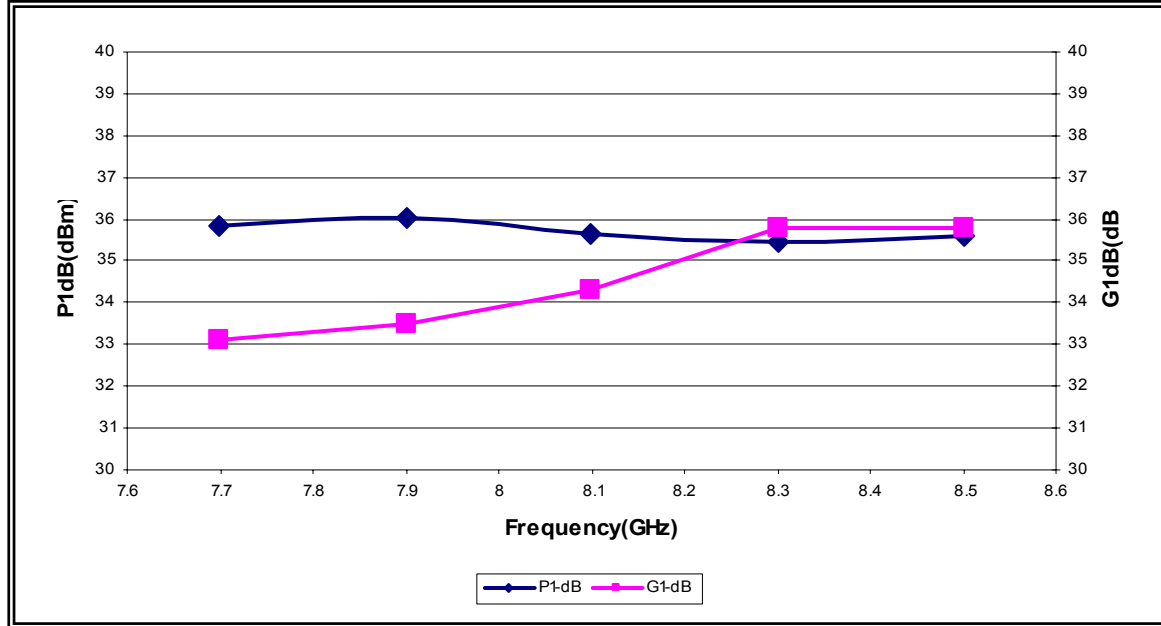


Specifications are subject to change without notice.

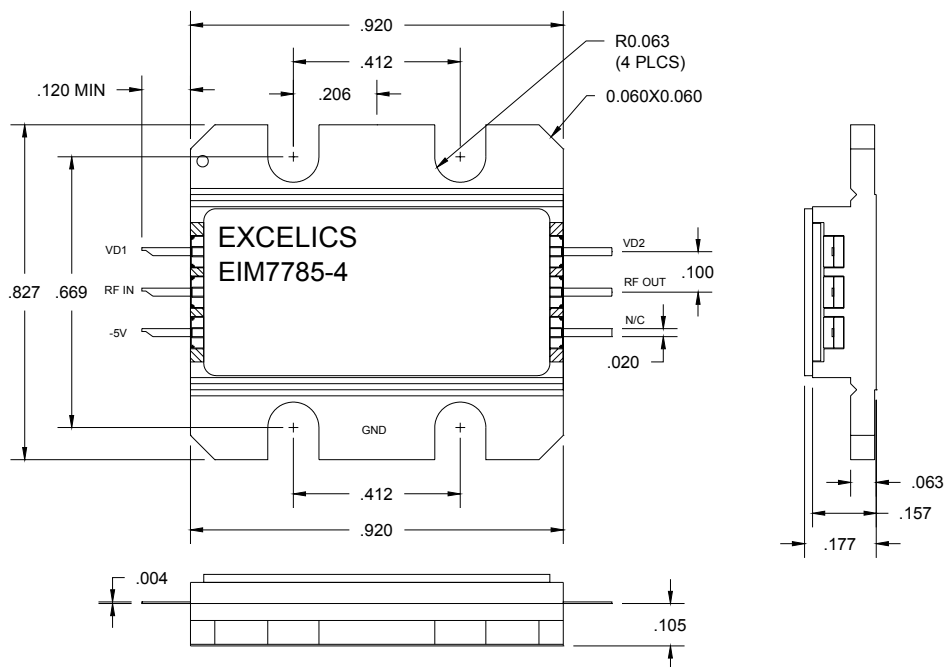
UPDATED 12/06/2007

7.70– 8.50GHz Multi-Stage Power Amplifier

2. P1-dB & G1-dB (@V_{d1} = 7V, V_{d2} = 10V, I_{d1} = 380mA, I_{d2} = 1800mA)



Package Dimension and Pin Assignment

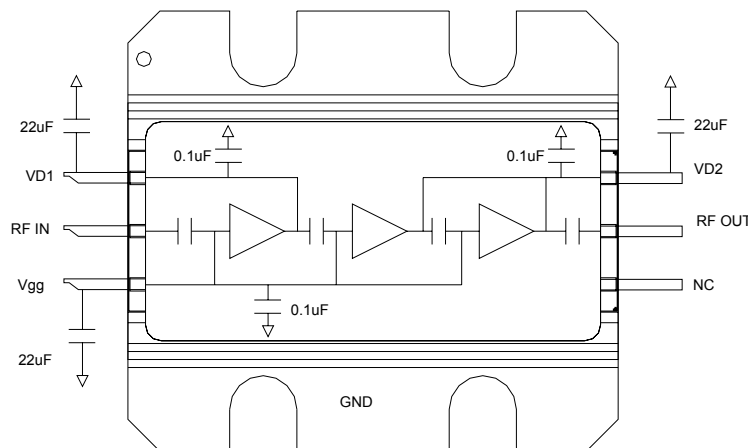


Dimensions are in inches
* NC: No connection inside the package

Specifications are subject to change without notice.

Application Note

1. The package should be screwed onto a good heat sink and ground
2. Turn on/off sequence is required:
 - to turn on: apply -5V first, then +7V and +10V.
 - to turn off: turn +7V and +10V off first, then turn -5V off
3. Recommended External Bias Circuit and Internal Block Diagram



DISCLAIMER

EXCELICS SEMICONDUCTOR RESERVES THE RIGHT TO MAKE CHANGES WITHOUT FURTHER NOTICE TO ANY PRODUCTS HEREIN TO IMPROVE RELIABILITY, FUNCTION OR DESIGN. EXCELICS DOES NOT ASSUME ANY LIABILITY ARISING OUT OF THE APPLICATION OR USE OF ANY PRODUCT OR CIRCUIT DESCRIBED HEREIN.

LIFE SUPPORT POLICY

EXCELICS SEMICONDUCTOR PRODUCTS ARE NOT AUTHORIZED FOR USE AS CRITICAL COMPONENTS IN LIFE SUPPORT DEVICES OR SYSTEMS WITHOUT THE EXPRESS WRITTEN APPROVAL OF EXCELICS SEMICONDUCTOR, INC.

AS HERE IN:

1. Life support devices or systems are devices or systems which, (a) are intended for surgical implant into the body, or (b) support or sustain life, or (c) whose failure to perform when properly used in accordance with instructions for use provided in the labeling, can be reasonably expected to result in significant injury to the user.
2. A critical component is any component of a life support device or system whose failure to perform can be reasonably expected to cause the failure of the life support device or system, or to affect its safety or effectiveness.